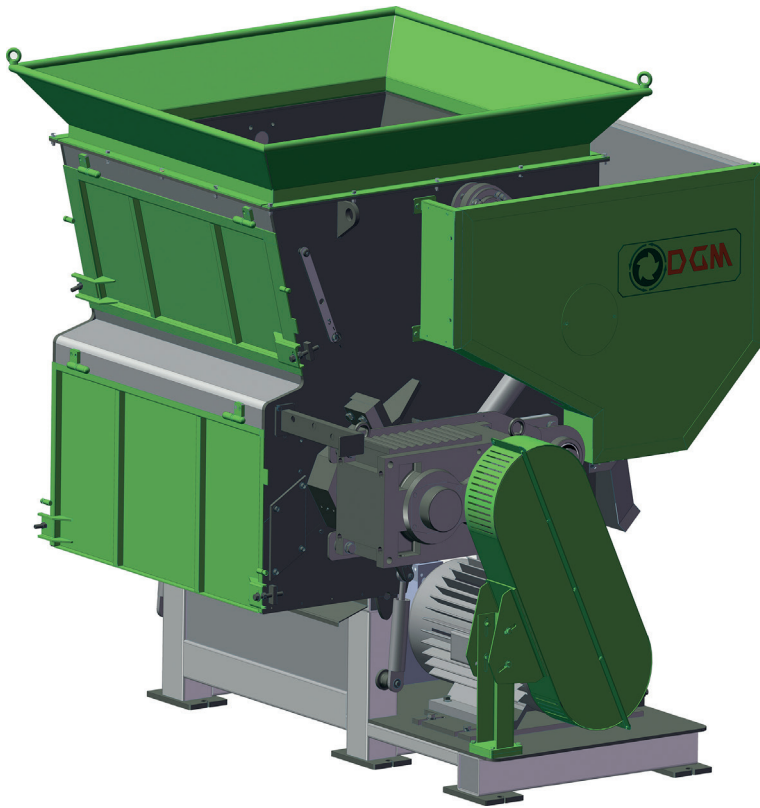


DGS GENERAL PURPOSE SINGLE SHAFT SHREDDER

DGA/DGS/DGX/DGR/DGD/DGC/DGE/DGH/DGP/DPM



KEY FEATURES >

- Large diameter flat rotor
- Machined pocket knife holders
- Optional hard facing
- Concave ground square knives
- Robust ram construction
- Heavy duty guide bearings
- Universal couplings
- Low speed, high torque geared drive
- Reduced footprint - (compared to horizontal pusher designs)
- Powerful hydraulic swing type ram
- Bolt in drive shafts
- Oil cooling on ram and gearbox
- Two speed hydraulic system
- Multiple rotor designs
- Ram comb plate
- Amp meter control

OPTIONS >

- Hydraulic screen cradle
- Gearbox with shrink disc
- Rotor cooling
- Pipe spacer
- Touch screen PLC
- Hopper mounted viewing mirror
- Increased motor drive
- Hydraulic drive

GENERAL DESCRIPTION >

The DGS General Purpose Single Shaft Shredder has a 457mm diameter profiled rotor made of solid steel, operating at a speed of 74rpm. The concave ground, aggressive 4-way rotating knives are mounted in the grooves of the profiled rotor with special knife holders. This enables a reduction of the cutting gap between the counter knives and the rotor which guarantees a high flow rate, low power consumption and maximum output of shredded material.

The hydraulically operated ram feeds the material automatically in the rotor's cutting chamber by load-related controls. The hydraulic system is equipped with high-pressure valves and volumetric flow controls which can be set according to the requirements of the input material.

Extremely robust pedestal bearing housings are mounted outside the machine and separate to the cutting chamber to prevent dust and dirt penetrating into the oversized bearings. This ensures a

long service life and minimum service and maintenance.

Power is transmitted from the motor by a drive belt via an oversized gearbox which is located on the shaft end on one end of the rotor.

A safety switch prevents machine startup when the front panel is open and the machine features emergency stop buttons on the machine body and control panel.

APPLICATIONS >

The DGS Shredders have been designed with a wide range of applications and industries in mind such as:

PLASTICS / WOOD / BIOMASS / PAPER / ALTERNATIVE FUELS (RDF/SRF) / DOMESTIC & COMMERCIAL WASTE



Factory address: No.1.Fengqi Road, Yangqiao Town, Huishan District, Wuxi City, Jiangsu Province, China
HQ Office Address: No.288, Luouo Road, Luoshe Town, Huishan District, Wuxi City, Jiangsu Province, China
T. +86-510-8357 2002 F. +86-510-8357 0210 E. info@dgm-machinery.com
en.dgm-machinery.com

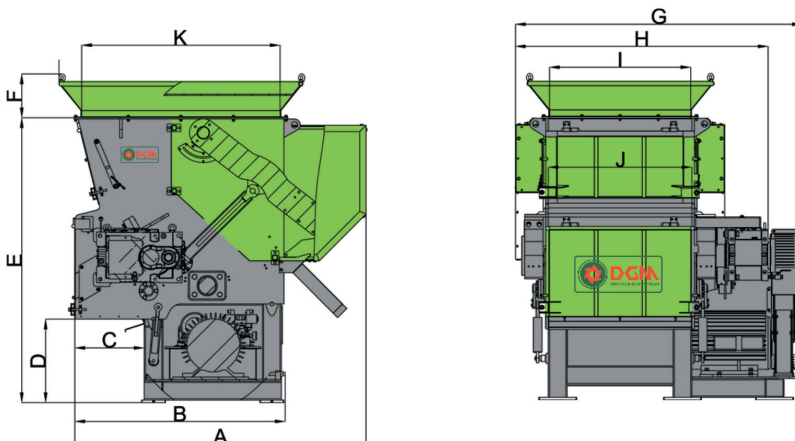
DGS GENERAL PURPOSE SINGLE SHAFT SHREDDER

DGA/DGS/DGX/DGR/DGD/DGC/DGE/DGH/DGP/DPM



SPECIFICATION >

ITEM	UNIT	850	1200	1500	2000
Cutting Chamber	mm	840x1570	1120x1570	1400x1570	1960x1570
Rotor Diameter	mm	457	457	457	457
Rotary Speed	rpm	74	74	74	74
Motor Power	kw	37/45/55	55	75	2x55/2x75
Rotor Knife	pcs	60	81	102	144
Strator Knife	pcs	2x3	2x4	2x5	2x7
Hydraulic Power	kw	3.75	5.6	5.6	5.6
Screen Size	mm	40-100	40-100	40-100	40-100
Shredding Chamber Size	mm	800x730	800x1000	800x1290	800x1860
Dimension A	mm	2300	2300	2300	2300
Dimension B	mm	1650	1650	1650	1650
Dimension C	mm	540	540	540	540
Dimension D	mm	660	660	660	660
Dimension E	mm	2250	2250	2250	2250
Dimension F	mm	350	350	350	350
Dimension G	mm	2000	2280	2600	3720
Dimension H	mm	1730	2000	2340	3340
Dimension I	mm	840	1120	1400	1960
Dimension J	mm	860	1140	1420	1980
Dimension K	mm	1570	1570	1570	1570



Factory address: No.1.Fengqi Road, Yangqiao Town, Huishan District , Wuxi City, Jiangsu Province, China
 HQ Office Address: No.288, Luouou Road, Luoshe Town, Huishan District, Wuxi City, Jiangsu Province, China
 T. +86-510-8357 2002 F. +86-510-8357 0210 E. info@dgm-machinery.com

en.dgm-machinery.com